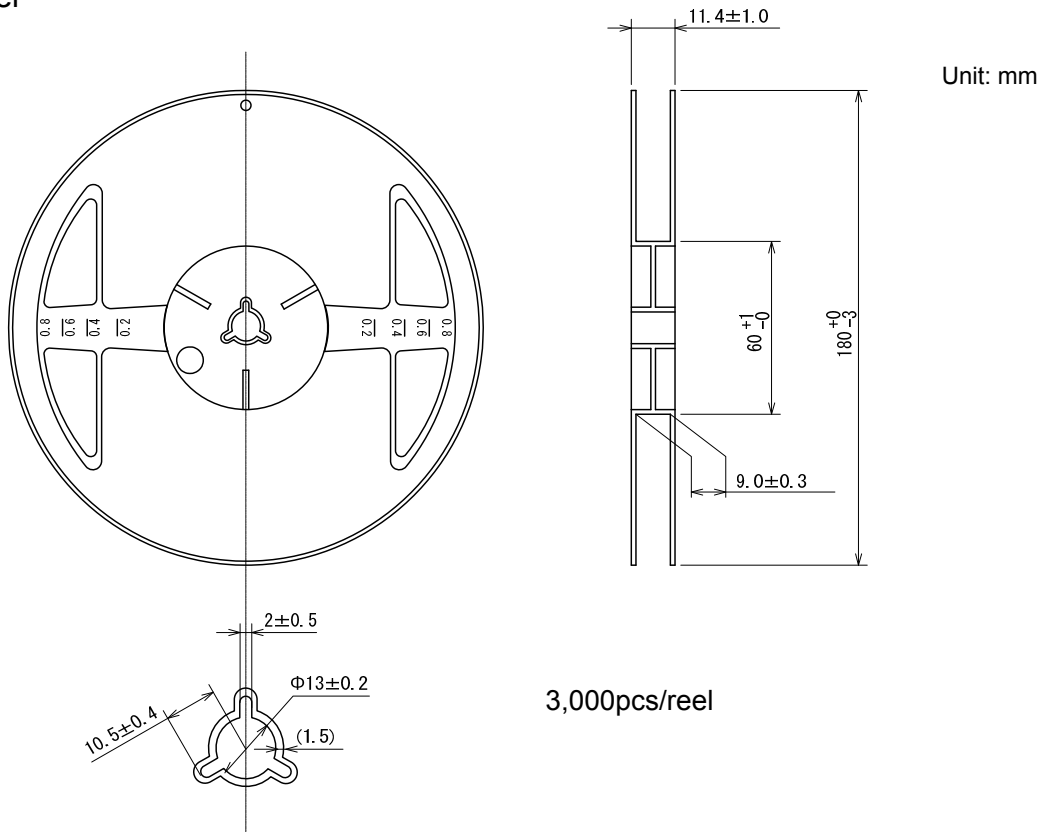


# Taping Specifications

● USP-10B Reel



● Taping Specifications

